



MIAMI-DADE COUNTY
BUILDING AND NEIGHBORHOOD COMPLIANCE DEPARTMENT (BNC)
BOARD AND CODE ADMINISTRATION DIVISION

710
HR

MIAMI-DADE COUNTY, FLORIDA
PRODUCT CONTROL SECTION
 11805 SW 26th Street, Room 208
 Miami, Florida 33175-2474
 T (786) 315-2590 F (786) 315-2599

NOTICE OF ACCEPTANCE (NOA)

www.miamidade.gov/building

PGT Industries, Inc.
1070 Technology Drive
Nokomis, FL 34275

SCOPE:

This NOA is being issued under the applicable rules and regulations governing the use of construction materials. The documentation submitted has been reviewed and accepted by Miami-Dade County BNC-Product Control Section to be used in Miami-Dade County and other areas where allowed by the Authority Having Jurisdiction (AHJ).

This NOA shall not be valid after the expiration date stated below. The Miami-Dade County Product Control Section (In Miami-Dade County) and/ or the AHJ (in areas other than Miami-Dade County) reserve the right to have this product or material tested for quality assurance purposes. If this product or material fails to perform in the accepted manner, the manufacturer will incur the expense of such testing and the AHJ may immediately revoke, modify, or suspend the use of such product or material within their jurisdiction. BNC reserves the right to revoke this acceptance, if it is determined by Miami-Dade County Product Control Section that this product or material fails to meet the requirements of the applicable building code. This product is approved as described herein, and has been designed to comply with the Florida Building Code, including the High Velocity Hurricane Zone.

DESCRIPTION: Series "HR-710" Aluminum Horizontal Sliding Window - L.M.I.

APPROVAL DOCUMENT: Drawing No. 4127-10, titled "Alum. Horizontal Roller Window, Impact", sheets 1 through 11 of 11, dated 02/28/2006 with the latest revision "D" dated 06/20/2011, prepared by PGT Industries, Inc., dated 06/29/2011, signed and sealed by Robert L. Clark, P. E., bearing the Miami-Dade County Product Control Revision stamp with the Notice of Acceptance number and Expiration date by the Miami-Dade County Product Control Section.

MISSILE IMPACT RATING: Large and Small Missile Impact Resistant.

LABELING: Each unit shall bear a permanent label with the manufacturer's name or logo, city, state, model/ series and following statement: "Miami-Dade County Product Control Approved" unless otherwise noted herein.

RENEWAL of this NOA shall be considered after a renewal application has been filed and there has been no change in the applicable building code negatively affecting the performance of this product.

TERMINATION of this NOA will occur after the expiration date or if there has been a revision or change in the materials, use, and/or manufacture of the product or process. Misuse of this NOA as an endorsement of any product, for sales, advertising or any other purposes shall automatically terminate this NOA. Failure to comply with any section of this NOA shall be cause for termination and removal of NOA.

ADVERTISEMENT: The NOA number preceded by the words Miami-Dade County, Florida, and followed by the expiration date may be displayed in advertising literature. If any portion of the NOA is displayed, then it shall be done in its entirety.

INSPECTION: A copy of this entire NOA shall be provided to the user by the manufacturer or its distributors and shall be available for inspection at the job site at the request of the Building Official.

This NOA renews and revises NOA No. 07-0815.09 and consists of this page 1, evidence pages E-1 and E-2, as well as approval document mentioned above.

The submitted documentation was reviewed by **Helmy A. Makar, P. E., M. S.**

Helmy A. Makar
08/18/2011



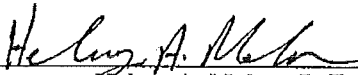
NOA No. 11-0630.02
Expiration Date: December 21, 2016
Approval Date: August 18, 2011
 Page 1

A. DRAWINGS

1. Manufacturer's die drawings and sections.
2. Drawing No. **4127-10**, titled "Alum. Horizontal Roller Window, Impact", sheets 1 through 11 of 11, dated 02/28/2006 with the latest revision "**D**" dated 06/20/2011, prepared by PGT Industries, Inc., dated 06/29/2011, signed and sealed by Robert L. Clark, P. E.

B. TESTS

1. Test reports on: 1) Large Missile Impact Test per FBC, TAS 201-94
2) Cyclic Wind Pressure Loading per FBC, TAS 203-94
Along with marked-up drawings and installation diagram of XOX aluminum horizontal sliding window, prepared by Fenestration Testing Laboratory, Inc., Test Report No. **FTL-5330**, dated 07/18/2007, signed and sealed by Carlos S. Rionda P. E.
(Submitted under NOA No. 07-0815.09)
2. Test reports on: 1) Air Infiltration Test, per FBC, TAS 202-94
2) Uniform Static Air Pressure Test, Loading per FBC TAS 202-94
3) Water Resistance Test, per FBC, TAS 202-94
4) Large Missile Impact Test per FBC, TAS 201-94
5) Cyclic Wind Pressure Loading per FBC, TAS 203-94
6) Forced Entry Test, Type "C" sliding window, Grade 10, per FBC 2411 3.2.1, TAS 202-94 and per ASTM F 842-04
Along with marked-up drawings and installation diagram of XOX aluminum horizontal sliding window, prepared by Fenestration Testing Laboratory, Inc., Test Report No. **FTL-4858**, dated 03/08/2006, signed and sealed by Edmundo Largaespada, P. E.
(Submitted under NOA No. 06-0405.06)
3. Test reports on: 1) Air Infiltration Test, per FBC, TAS 202-94
2) Uniform Static Air Pressure Test, Loading per FBC TAS 202-94
3) Water Resistance Test, per FBC, TAS 202-94
4) Large Missile Impact Test per FBC, TAS 201-94
5) Cyclic Wind Pressure Loading per FBC, TAS 203-94
6) Forced Entry Test, Type "C" sliding window, Grade 10, per FBC 2411 3.2.1, TAS 202-94 and per ASTM F 842-04
Along with marked-up drawings and installation diagram of XOX aluminum horizontal sliding window, prepared by Fenestration Testing Laboratory, Inc., Test Report No. **FTL-4859**, dated 03/08/2006, signed and sealed by Edmundo Largaespada, P. E.
(Submitted under NOA No. 06-0405.06)


Helmy A. Makar, P. E., M. S.

BNC-Product Control Unit Supervisor
NOA No. 11-0630.02

Expiration Date: December 21, 2016

Approval Date: August 18, 2011

C. CALCULATIONS

1. Anchor verification calculations and structural analysis, complying with FBC, prepared by PGT Industries, Inc., dated 10/26/06, signed and sealed by Robert L. Clark, P. E.
Complies with ASTM E1300-98/ 02
(Submitted under previous NOA No. 07-0815.09)

D. QUALITY ASSURANCE

1. Miami-Dade Building and Neighborhood Compliance Department (BNC).

E. MATERIAL CERTIFICATIONS

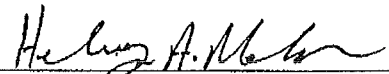
1. Notice of Acceptance No. **10-0922.09** issued to E.I. DuPont DeNemours & Co., Inc. for their "**DuPont Butacite® PVB, Interlayer**" dated 12/24/10, expiring on 12/11/11.
2. Notice of Acceptance No. **08-0206.01** issued to Solutia Inc. for their "**Saflex HP Glass Interlayer**" dated 04/17/2008, expiring on 04/17/2013.

F. STATEMENTS

1. Statement letter of no financial interest, conformance and compliance with the FBC-2007, dated 06/29/2011, signed and sealed by Robert L. Clark, P. E.
2. Laboratory compliance letter for Test Report No. **FTL-5330**, issued by Fenestration Testing Laboratory, Inc., dated 07/18/2007, signed and sealed by Carlos S. Rionda, P.E.
(Submitted under previous NOA No. 07-0815.09)
3. Laboratory compliance letter for Test Reports No.'s **FTL-4858 and FTL-4859**, issued by Fenestration Testing Laboratory, Inc., dated 03/08/2006, signed and sealed by Edmundo Largaespada, P. E.
(Submitted under NOA No. 06-0405.06)

G. OTHERS

1. Notice of Acceptance No. **07-0815.09**, issued to PGT Industries, Inc. for their Series "**HR-710 Aluminum Horizontal Roller Window - L.M.I.**", approved on 01/03/2008 and expiring on 12/21/2011.




Helmy A. Makar, P. E., M. S.
BNC-Product Control Unit Supervisor
NOA No. 11-0630.02

Expiration Date: December 21, 2016
Approval Date: August 18, 2011

GENERAL NOTES: IMPACT HORIZONTAL ROLLER FLANGED AND INTEGRAL FIN WINDOW

1. GLAZING OPTIONS: (SEE DETAILS ON SHEET 2). FOR INSTALLATION ABOVE 30 FT, GLASS TYPES G THRU L MUST HAVE A TEMPERED GLASS CAP.
 - A. 5/16" LAMI CONSISTING OF (2) LITES OF 1/8" ANNEALED GLASS WITH A .090 DUPONT BUTACITE OR SAFLEX/KEEPSAFE MAXIMUM PVB INTERLAYER.
 - B. 5/16" LAMI CONSISTING OF (1) LITE OF 1/8" ANNEALED GLASS AND (1) LITE OF 1/8" HEAT STRENGTHENED GLASS WITH A .090 DUPONT BUTACITE OR SAFLEX/KEEPSAFE MAXIMUM PVB INTERLAYER.
 - C. 5/16" LAMI CONSISTING OF (2) LITES OF 1/8" HEAT STRENGTHENED GLASS WITH AN .090 DUPONT BUTACITE OR SAFLEX/KEEPSAFE MAXIMUM PVB INTERLAYER.
 - D. 7/16" LAMI CONSISTING OF (2) LITES OF 3/16" ANNEALED GLASS WITH AN .090 DUPONT BUTACITE OR SAFLEX/KEEPSAFE MAXIMUM PVB INTERLAYER.
 - E. 7/16" LAMI CONSISTING OF (1) LITE OF 3/16" ANNEALED GLASS AND (1) LITE OF 3/16" HEAT STRENGTHENED GLASS WITH AN .090 DUPONT BUTACITE OR SAFLEX/KEEPSAFE MAXIMUM PVB INTERLAYER.
 - F. 7/16" LAMI CONSISTING OF (2) LITES OF 3/16" HEAT STRENGTHENED GLASS WITH AN .090 DUPONT BUTACITE OR SAFLEX/KEEPSAFE MAXIMUM PVB INTERLAYER.
 - G. 13/16" LAMI IG: (1) LITE OF 1/8" OR 3/16" ANNEALED (MIN.) GLASS, 5/16" OR 3/8" AIR SPACE AND 5/16" LAMI CONSISTING OF (2) LITES OF 1/8" ANNEALED GLASS WITH A .090 DUPONT BUTACITE OR SAFLEX/KEEPSAFE MAXIMUM PVB INTERLAYER.
 - H. 13/16" LAMI IG: (1) LITE OF 1/8" OR 3/16" ANNEALED (MIN.) GLASS, 5/16" OR 3/8" AIR SPACE AND 5/16" LAMI CONSISTING OF (1) LITE OF 1/8" ANNEALED GLASS AND (1) LITE OF 1/8" HEAT STRENGTHENED GLASS WITH A .090 DUPONT BUTACITE OR SAFLEX/KEEPSAFE MAXIMUM PVB INTERLAYER.
 - I. 13/16" LAMI IG: (1) LITE OF 1/8" OR 3/16" ANNEALED (MIN.) GLASS, 5/16" OR 3/8" AIR SPACE AND 5/16" LAMI CONSISTING OF (2) LITES OF 1/8" HEAT STRENGTHENED GLASS WITH AN .090 DUPONT BUTACITE OR SAFLEX/KEEPSAFE MAXIMUM PVB INTERLAYER.
 - J. 13/16" LAMI IG: (1) LITE OF 1/8" OR 3/16" ANNEALED (MIN.) GLASS, 3/16" OR 1/4" AIR SPACE AND 7/16" LAMI CONSISTING OF (2) LITES OF 3/16" ANNEALED GLASS WITH AN .090 DUPONT BUTACITE OR SAFLEX/KEEPSAFE MAXIMUM PVB INTERLAYER.
 - K. 13/16" LAMI IG: (1) LITE OF 1/8" OR 3/16" ANNEALED (MIN.) GLASS, 3/16" OR 1/4" AIR SPACE AND 7/16" LAMI CONSISTING OF (1) LITE OF 3/16" ANNEALED GLASS AND (1) LITE OF 3/16" HEAT STRENGTHENED GLASS WITH AN .090 DUPONT BUTACITE OR SAFLEX/KEEPSAFE MAXIMUM PVB INTERLAYER.
 - L. 13/16" LAMI IG: (1) LITE OF 1/8" OR 3/16" ANNEALED (MIN.) GLASS, 3/16" OR 1/4" AIR SPACE AND 7/16" LAMI CONSISTING OF (2) LITES OF 3/16" HEAT STRENGTHENED GLASS WITH AN .090 DUPONT BUTACITE OR SAFLEX/KEEPSAFE MAXIMUM PVB INTERLAYER.
2. CONFIGURATIONS: OX, XO, XOX
3. DESIGN PRESSURES: (SEE TABLES, SHEET 3)
 - A. NEGATIVE DESIGN LOADS BASED ON TESTED PRESSURE AND GLASS TABLES ASTM E 1300-02.
 - B. POSITIVE DESIGN LOADS BASED ON WATER TEST PRESSURE AND GLASS TABLES ASTM E 1300-02.
4. ANCHORAGE: THE 33 1/3% STRESS INCREASE HAS NOT BEEN USED IN THE DESIGN OF THIS PRODUCT. SEE SHEETS 8 THROUGH 11 FOR ANCHORAGE DETAILS.
5. SHUTTERS ARE NOT REQUIRED.
6. FRAME AND PANEL CORNERS SEALED WITH NARROW JOINT SEALANT OR GASKET.
7. REFERENCES: TEST REPORTS FTL-4855, FTL-4859 AND FTL-5330.
ELCO TETRON NOA: 04-0721.01, 03-0225.05
ANSI/AIAA PA NDS-2005 FOR WOOD CONSTRUCTION
ADM-2005 ALUMINUM DESIGN MANUAL
8. THIS PRODUCT HAS BEEN DESIGNED & TESTED TO COMPLY WITH THE REQUIREMENTS OF THE FLORIDA BUILDING CODE, CURRENT EDITION INCLUDING THE HIGH VELOCITY HURRICANE ZONE (HVHZ).
9. FOR INSTALLATION IN THE HVHZ ABOVE 30 FT, GLASS TYPES G - L SHALL HAVE A TEMPERED I.G. GLASS CAP. BOTH THE DP AND ANCHOR QUANTITY REMAIN UNCHANGED.

| | | | |
|--|----------------|---------------------------|---|
| Revised By: J.R.K. | Date: 6/20/11 | Revision: D | Notes: ADDED IG CAP TO BE TEMPERED @ +30FT NOTE. |
| Drawn By: F.K. | Date: 10/17/06 | Checked By: J.L. | Date: 3/23/06 |
| Project No: 115107 | Revision: B | Change To: ASTM E 1300-02 | Notes: ADD FTL-5330 TO NOTES 7 & CHG. NOTE 8 TO CURRENT EDIT. |
|  1070 TECHNOLOGY DRIVE NOKOMIS, FL 34275 P.O. BOX 1528 NOKOMIS, FL 34274 | | | |
| Description: GENERAL NOTES | | Sheet: NTS | Drawn No: 4127-10 |
| Title: ALUM. HORIZONTAL ROLLER WINDOW, IMPACT | | Scale: 1 or 11 | Rev: D |

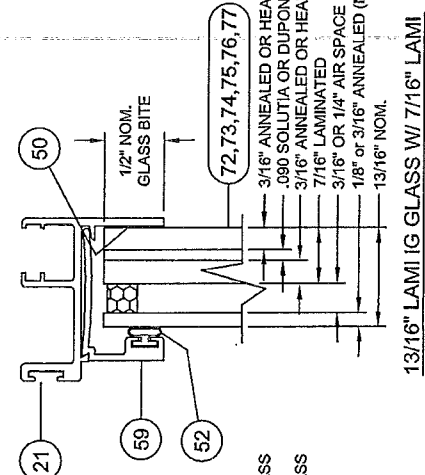
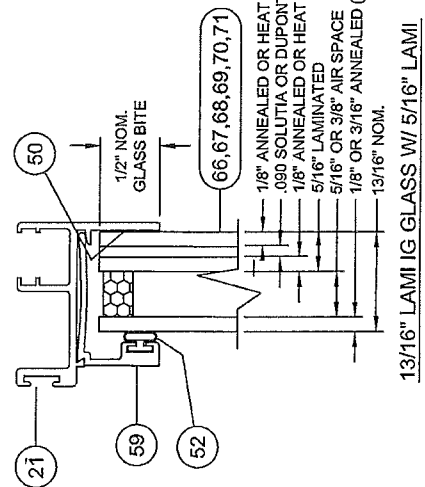
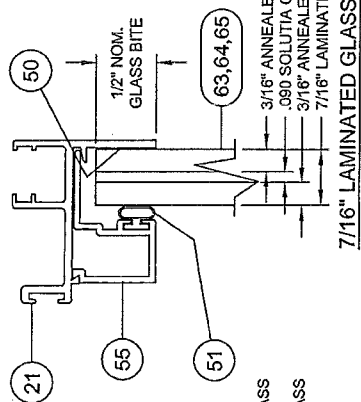
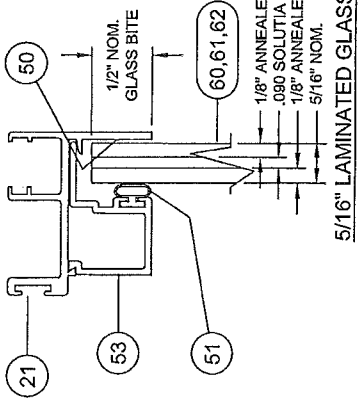
NOA DRAWING MAP SHEET

| | |
|-----------------------|------|
| GENERAL NOTES..... | 1 |
| GLAZING DETAILS..... | 2 |
| DESIGN PRESSURES..... | 3 |
| ELEVATIONS..... | 4 |
| VERT. SECTIONS..... | 5 |
| HORIZ. SECTIONS..... | 5 |
| PARTS LIST..... | 6 |
| EXTRUSIONS..... | 7 |
| CORNER DETAIL..... | 5 |
| ANCHORAGE..... | 8-11 |

PRODUCT REVISED as complying with the Florida Building Code Acceptance No. **11-0630.02** Expiration Date **12/31/2016**
 By *Robert L. Clerk*
 Miami Dade Product Control

Robert L. Clerk
 6/29/11
 Robert L. Clerk, P.E.
 PE #38712
 Structural

EXTERIOR INTERIOR
(ALL SECTIONS)



FOR INSTALLATION IN THE HVHZ ABOVE 30 FT, GLASS TYPES G - L SHALL HAVE A TEMPERED I.G. GLASS CAP. BOTH THE DP AND ANCHOR QUANTITY TO REMAIN UNCHANGED.

| | | |
|-------------|----------|-----------|
| Revised By: | Date: | Revision: |
| J.R. | 6/20/11 | D |
| Drawn By: | Date: | Drawn: |
| F.K. | 10/17/08 | B |
| Checked By: | Date: | Checked: |
| J.L. | 3/23/06 | J.L. |

1070 TECHNOLOGY DRIVE
NOKOMIS, FL 34275
P.O. BOX 1829
NOKOMIS, FL 34274



| | | | |
|---|--|---------------|--------|
| Drawing No. 4127-10 | | Sheet 2 of 11 | Rev: D |
| Title: ALUM. HORIZONTAL ROLLER WINDOW, IMPACT | | | |
| Drawing No. 4127-10 | | | |

PRODUCT REVISED as complying with the Florida Building Code Acceptance No. 11-06330.02 Expiration Date: 12/21/2016
By: [Signature]
National Dodge Product Control

[Signature]
6/29/11
Robert L. Clark, P.E.
PE #3712
Structural

TABLE 1.
XOX (1/4, 1/2, 1/4) FLANGE OR INTEGRAL FIN WINDOWS (FLANGED SHOWN. FIN WINDOWS W/ SAME DLO ARE 1" SMALLER)

| WINDOW WIDTH | GLASS TYPE | WINDOW HEIGHT | | | | | | | | | | | |
|--------------|------------------|---------------|-------|---------|-------|---------|-------|-------|-------|-------|-------|-------|-------|
| | | 26" | 36" | 38 3/8" | 48" | 50 5/8" | 54" | 60" | 63" | | | | |
| 84" | A, B, G, H | +60.0 | -60.0 | +60.0 | -60.0 | +60.0 | -60.0 | +60.0 | -60.0 | +60.0 | -60.0 | +60.0 | -60.0 |
| 96" | A, B, G, H | +60.0 | -60.0 | +60.0 | -60.0 | +60.0 | -60.0 | +60.0 | -60.0 | +60.0 | -60.0 | +58.8 | -58.8 |
| 106 3/8" | A, B, G, H | +60.0 | -60.0 | +60.0 | -60.0 | +60.0 | -60.0 | +60.0 | -60.0 | +60.0 | -60.0 | +55.2 | -55.2 |
| 108" | A, B, G, H | +60.0 | -60.0 | +60.0 | -60.0 | +60.0 | -60.0 | +60.0 | -60.0 | +60.0 | -60.0 | +54.6 | -54.6 |
| 111" | A, B, G, H | +60.0 | -60.0 | +60.0 | -60.0 | +60.0 | -60.0 | +60.0 | -60.0 | +59.5 | -59.5 | +53.6 | -53.6 |
| UP TO 111" | C, I | | | | | | | | | | | | |
| UP TO 111" | D, E, F, J, K, L | | | | | | | | | | | | |

TABLE 2.
XOX (1/3, 1/3, 1/3) FLANGE OR INTEGRAL FIN WINDOWS (FLANGED SHOWN. FIN WINDOWS W/ SAME DLO ARE 1" SMALLER)

| WINDOW WIDTH | GLASS TYPE | WINDOW HEIGHT | |
|--------------|------------------|-----------------------|-------|
| | | ALL HEIGHTS UP TO 63" | |
| TO 86 7/16" | A, B, C, G, H, I | +60.0 | -60.0 |
| TO 86 7/16" | D, E, F, J, K, L | +75.0 | -75.0 |


TABLE 3.
OX AND XO FLANGE OR INTEGRAL FIN WINDOWS (FLANGED SHOWN. FIN WINDOWS W/ SAME DLO ARE 1" SMALLER)

| WINDOW WIDTH | GLASS TYPE | WINDOW HEIGHT | | | | | | | | | | | |
|--------------|------------------------|---------------|-------|---------|-------|---------|-------|-------|-------|-------|-------|-------|-------|
| | | 26" | 36" | 38 3/8" | 48" | 50 5/8" | 54" | 60" | 63" | | | | |
| 60" | A, B, G, H | +75.0 | -75.0 | +75.0 | -75.0 | +75.0 | -75.0 | +75.0 | -75.0 | +75.0 | -75.0 | +75.0 | -75.0 |
| 66" | A, B, G, H | +75.0 | -75.0 | +75.0 | -75.0 | +75.0 | -75.0 | +75.0 | -75.0 | +74.2 | -74.2 | +70.2 | -70.2 |
| 72" | A, B, G, H | +75.0 | -75.0 | +75.0 | -75.0 | +75.0 | -75.0 | +75.0 | -75.0 | +75.0 | -69.6 | +65.2 | -65.2 |
| 74" | A, B, G, H | +75.0 | -75.0 | +75.0 | -75.0 | +75.0 | -75.0 | +75.0 | -75.0 | +75.0 | -68.1 | +63.8 | -63.8 |
| UP TO 74" | C, D, E, F, I, J, K, L | | | | | | | | | | | | |

GLASS TYPES: TEST REPORT FTL-4858 (XOX), FTL-4859 (OX & XO) AND FTL-5330

- A. 5/16" LAMI - (1/8" A, .090, 1/8" A)
- B. 5/16" LAMI - (1/8" A, .090, 1/8" HS)
- C. 5/16" LAMI - (1/8" HS, .090, 1/8" HS)
- D. 7/16" LAMI - (3/16" A, .090, 3/16" A)
- E. 7/16" LAMI - (3/16" A, .090, 3/16" HS)
- F. 7/16" LAMI - (3/16" HS, .090, 3/16" HS)
- G. 13/16" LAMI IG-1/8" OR 3/16" A (MIN.), 5/16" OR 3/8" AIR SPACE, 5/16" LAMI - (1/8" A, .090, 1/8" A)
- H. 13/16" LAMI IG-1/8" OR 3/16" A (MIN.), 5/16" OR 3/8" AIR SPACE, 5/16" LAMI - (1/8" A, .090, 1/8" HS)
- I. 13/16" LAMI IG-1/8" OR 3/16" A (MIN.), 5/16" OR 3/8" AIR SPACE, 5/16" LAMI - (1/8" HS, .090, 1/8" HS)
- J. 13/16" LAMI IG-1/8" OR 3/16" A (MIN.), 3/16" OR 1/4" SPACE, 7/16" LAMI - (3/16" A, .090, 3/16" A)
- K. 13/16" LAMI IG-1/8" OR 3/16" A (MIN.), 3/16" OR 1/4" SPACE, 7/16" LAMI - (3/16" A, .090, 3/16" HS)
- L. 13/16" LAMI IG-1/8" OR 3/16" A (MIN.), 3/16" OR 1/4" SPACE, 7/16" LAMI - (3/16" HS, .090, 3/16" HS)

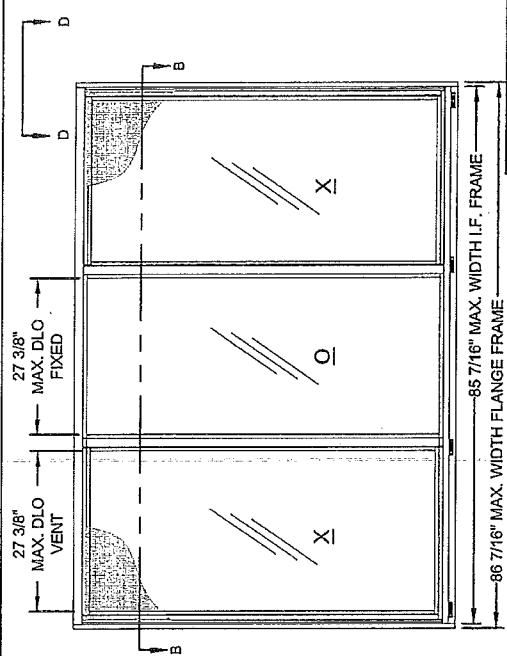
| | | | |
|-------------------|----------------|------------------|---|
| Revised By: J.R. | Date: 6/20/11 | Revision: D | Added IG CAP TO BE TEMPERED @ 300FT NOTE. |
| Drawn By: F.K. | Date: 4/15/07 | Revision: C | ADD INTEGRAL FIN OPTION & UPDATE ASTM E 1300-02 DPs |
| Checked By: F.K. | Date: 10/17/06 | Revision: B | REVISE DP TABLES TO ASTM E 1300-02 |
| Approved By: F.K. | Date: 2/28/06 | Checked By: J.L. | Date: 3/23/06 |

| | | | |
|--|--|--|---------------------|
|  PGI Visible Barrier | | 1070 TECHNOLOGY DRIVE NOKOMIS, FL 34275 P.O. BOX 1628 NOKOMIS, FL 34274 | |
| DESIGN PRESSURES ALUM. HORIZONTAL ROLLER WINDOW, IMPACT | | Bank: NTS | Drawing No. 4127-10 |

FOR INSTALLATION IN THE HVHZ ABOVE 30 FT, GLASS TYPES G-L SHALL HAVE A TEMPERED I.G. GLASS CAP. BOTH THE DP AND ANCHOR QUANTITY REMAIN UNCHANGED.

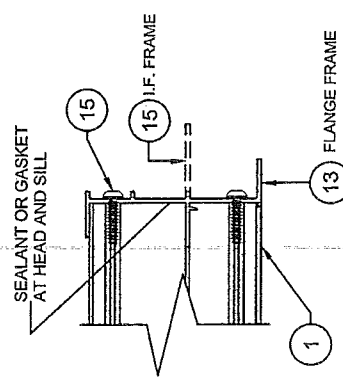
PRODUCT REVISED as complying with the Florida Building Code Acceptance No. 11-0630.02 Expiration Date 12-12-2016
 By: *Robert L. Clark*
 Mutual Trade Products Control

Robert L. Clark
 6/29/11
 Robert L. Clark, P.E.
 PE #39712
 Structural

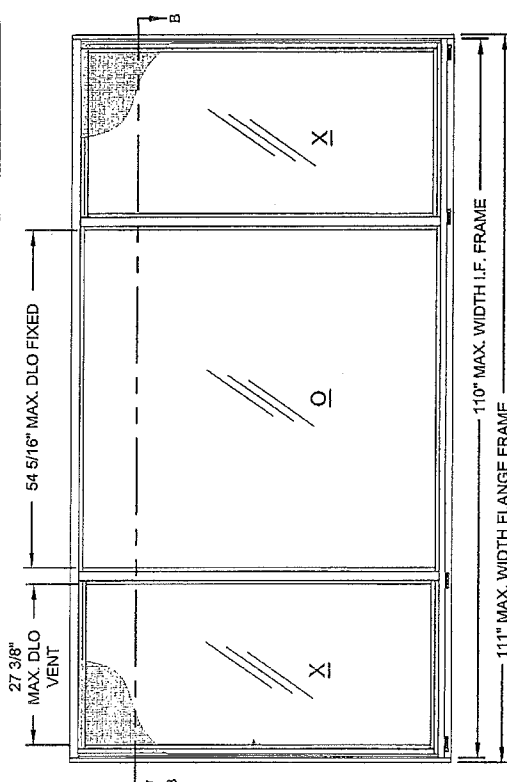


DETAIL C - XOX (1/3-1/3-1/3)

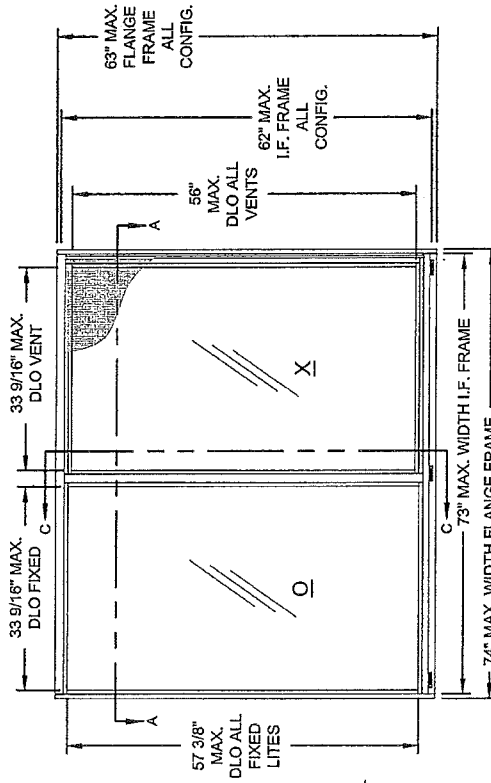
NOTE:
1. SEE SHEET 5 FOR VERTICAL AND HORIZONTAL SECTION DETAILS.



VIEW D-D
(FRAME CORNER CONSTRUCTION)



DETAIL B - XOX (1/4-1/2-1/4)



DETAIL A - OX OR XO

PRODUCT REVISED
as complying with the Florida
Building Code
Acceptance No. **11-0630.02**
Expiration Date **12/21/2016**
By *[Signature]*
Adama Engineering Control

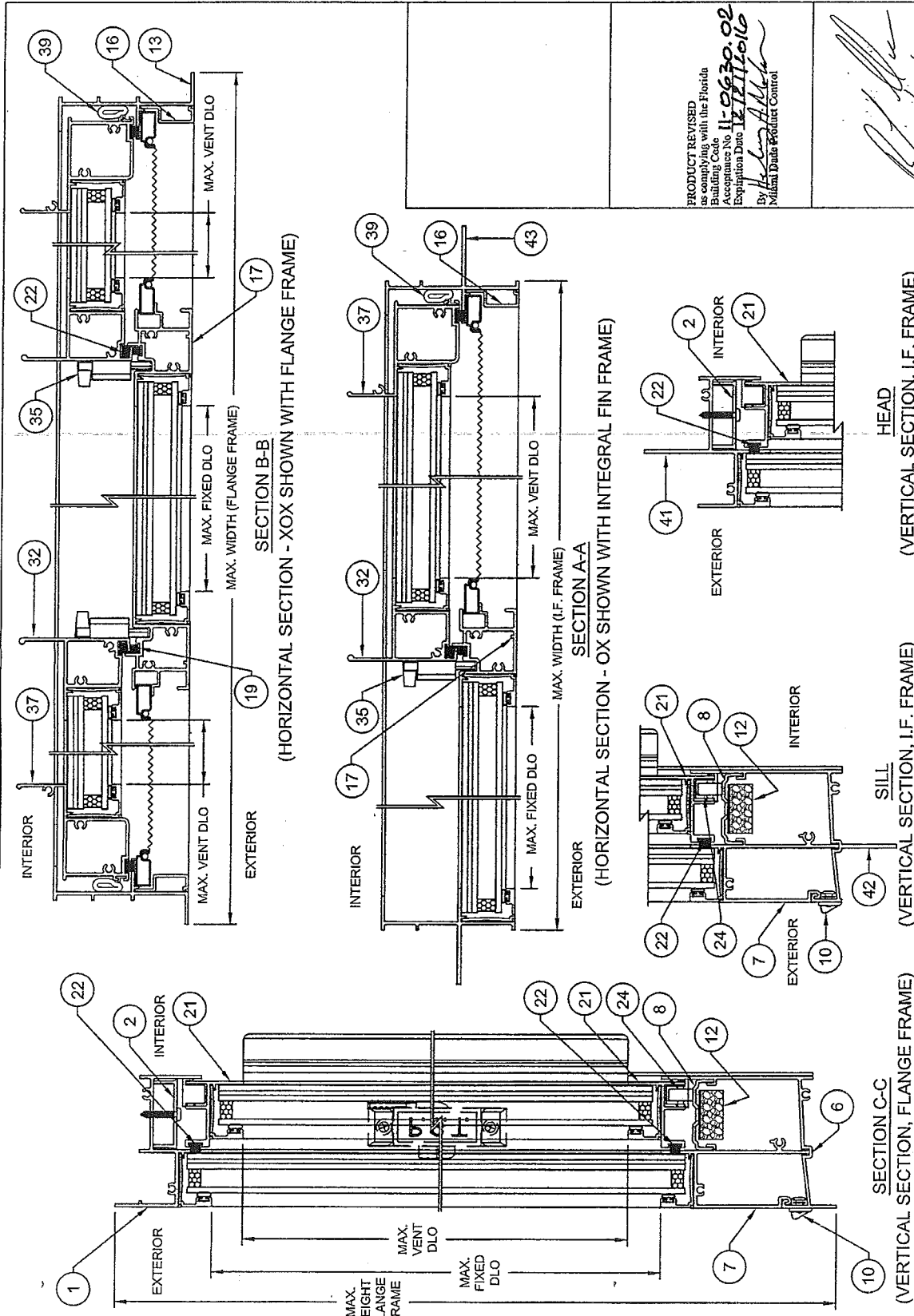
[Signature]
6/29/11
Robert L. Clark, P.E.
PE #39712
Structural

| | | | |
|--------------------------|----------------|-------------|---|
| Revised By: J.F.C. | Date: 6/20/11 | Revision: D | NO CHANGE THIS SHEET |
| Drawn By: F.K. | Date: 10/17/08 | Revision: B | NO CHANGE THIS SHEET |
| Checked By: J.J. | Date: 3/23/05 | Revision: C | ADD INTEGRAL FIN FRAME MAX. DIMENSIONS AND CORNER CONSTRUCTION DETAIL FROM SHIT. B. |
| Approved By: [Signature] | Date: 6/29/11 | Revision: D | |

PGI
Visibly Better

1070 TECHNOLOGY DRIVE
NOKOMIS, FL 34276
P.O. BOX 1529
NOKOMIS, FL 34274

| | | | |
|---------------|--|--------------|---------|
| Description: | ALUM. HORIZONTAL ROLLER WINDOW, IMPACT | | |
| Drawings No.: | HR710 | Sheet: | 4 of 11 |
| Scale: | NTS | Drawing No.: | 4127-10 |



PRODUCT REVISED
 as complying with the Florida
 Building Code
 Amendments No. 11-0670-02
 Effective Date 11/1/2016
 By *Robert L. Clark*
 National Double Product Control

Robert L. Clark
 11/29/11

Robert L. Clark, P.E.
 PE #39712
 Structural

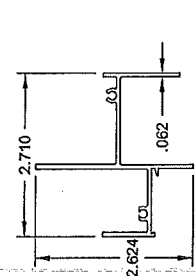
| | | | |
|-------------|----------|-----------|--|
| Revised By: | Date: | Revision: | NO CHANGE THIS SHEET |
| J.R. | 6/20/11 | D | |
| Drawn By: | Date: | Revision: | ADD INTEGRAL FIN FRAME, ITEMS 41, 42 AND 49 AND VIEWS. |
| F.K. | 4/15/07 | B | |
| Checked By: | Date: | Revision: | NO CHANGE THIS SHEET |
| F.K. | 10/17/06 | B | |
| Drawn By: | Date: | Revision: | NO CHANGE THIS SHEET |
| F.K. | 2/28/05 | J.J. | |
| Checked By: | Date: | Revision: | |
| J.J. | 3/23/06 | | |

| | |
|--|-------------|
| Sections | DESCRIPTION |
| ALUM. HORIZONTAL ROLLER WINDOW, IMPACT | |
| Book No: | HR710 |
| Sheet: | 5 of 11 |
| Drawing No: | 4127-10 |
| Rev: | D |

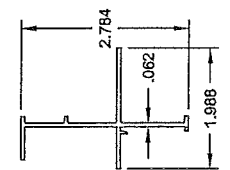
| | |
|---------------|--|
| PGI | 1070 TECHNOLOGY DRIVE NOKOMIS, FL 34276 |
| Verily Better | P.O. BOX 1528 NOKOMIS, FL 34274 |

| ITEM | DWG# | REV | DESCRIPTION | MAT'L | PGT# |
|------|-------|-------|--|---------------|------------------|
| 1 | 4102 | A | FLANGE FRAME HEAD | 6063-T6 AL. | 612237 |
| 2 | 4025 | | SASH STOP (STD.) (ANTI LIFT CLIP) | 6063-T5 AL. | 612244 |
| 3 | | | #8 X 3/4 PH. PAN HEAD | | 7834A.A |
| 4 | 4053 | | SASH STOP COVER (SASH STOP) | 6063-T5 AL. | |
| 6 | 4136 | | FLANGE FRAME SILL | 6063-T6 AL. | 64136 |
| 7 | 4137 | | SILL ADAPTOR | 6063-T6 AL. | 64137 |
| 8 | 4131 | | ROLLER TRACK | 6063-T6 AL. | 64131 |
| 10 | 71298 | | WEEP HOLE COVER | POLYPROP. | 71298 |
| 12 | 1626 | | ADHESIVE OPEN CELL FOAM PAD | | 7PAD1626 |
| 13 | 4002 | A | FLANGE FRAME JAMB | 6063-T6 AL. | 612225 |
| 14 | 4134 | | GASKET FOR MAIN FRAME SILL JOINT | | 74134W/K |
| 15 | 1155 | | #8 X 1.000 QUAD PN. SMS | | 781PQA |
| 16 | 4110 | G | SCREEN ADAPTOR | 6063-T5 AL. | 64110G |
| 17 | 4054 | B | FIXED MEETING RAIL | 6063HD-T6 AL. | 64054A |
| 19 | 4066 | | WSTP...187 X 230, FIN SEAL | 64066G | |
| 21 | 4105 | | SASH TOP & BOTTOM RAIL | 6063-T5 AL. | 612240 |
| 22 | 1683 | | WSTP...250 X 270 BACK, FIN SEAL | | 61683G |
| 23 | 225-1 | | ROLLER HOUSING & GUIDE | | 42112HD |
| 24 | 226 | | BRASS ROLLER WHEELS | BRASS | 7BRWHL2 |
| 29 | 4128 | | HORIZONTAL ROLLER SASH TOP GUIDE | POLYPROP. | 44128N |
| 32 | 4006 | D | SASH MEETING RAIL | 6063HS-T6 AL. | 64006 |
| 33 | 1235 | | WSTP...170 X 270 BACK, FIN SEAL | 61S16G | |
| 35 | 1096 | | SWEET LATCH | DIE-CAST | 71096 |
| 36 | 1016 | | #8 X .625 PH. FL. SMS | | 7838 |
| 37 | 4126 | | SASH SIDE RAIL | 6063-T5 AL. | 64126 |
| 38 | 1683 | | WSTP...250 X 270 BACK, FIN SEAL | | 61683G |
| 39 | 7070 | | BULB WEATHERSTRIP .187X .275 | | 67070K |
| 40 | | | LIFT RAIL COVER CAP | | 74078" C" L OR R |
| 41 | 4139 | | I.F. FRAME HEAD | 6063-T6 AL. | 64139 |
| 42 | 4140 | | I.F. FRAME SILL | 6063-T6 AL. | 64140 |
| 43 | 4141 | | I.F. FRAME JAMB | 6063-T6 AL. | 64141 |
| 50 | | | GLAZING SILICONE, DOW 899, 995 OR EQUIVALENT | | |
| 51 | 1224 | | VINYL GLAZING BEAD BULB (THICK) | | 6TP247W.K |
| 52 | 1225 | | VINYL GLAZING BEAD BULB (THIN) | | 6TP248K |
| 53 | 4039 | B | GLAZING BEAD - 5/16" | 6063-T5 AL. | 64039B |
| 54 | 4044 | B | GLAZING BEAD - 5/16" W/GRILL KIT | 6063-T5 AL. | 644703 |
| 55 | 4222 | A | GLAZING BEAD - 7/16" | 6063-T5 AL. | 64222 |
| 56 | 985 | C | GLAZING BEAD - 7/16" W/GRILL KIT | 6063-T5 AL. | 6985 |
| 59 | 4067 | | GLAZING BEAD - 13/16" | 6063-T5 AL. | 64067 |
| 60 | GLASS | 5/16" | LAMI (1/8" A, .090 PVB, 1/8" A) | | |
| 61 | " | 5/16" | LAMI (1/8" A, .090 PVB, 1/8" HS) | | |
| 62 | " | 5/16" | LAMI (1/8" HS, .090 PVB, 1/8" HS) | | |
| 63 | " | 7/16" | LAMI (3/16" A, .090 PVB, 3/16" A) | | |
| 64 | " | 7/16" | LAMI (3/16" A, .090 PVB, 3/16" HS) | | |
| 65 | " | 7/16" | LAMI (3/16" HS, .090 PVB, 3/16" HS) | | |

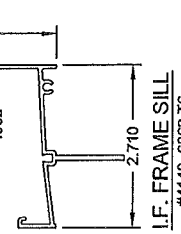
| ITEM | DWG# | REV | DESCRIPTION | MAT'L | PGT# |
|------|-------|--------|--|--------------|------|
| 66 | GLASS | 13/16" | LAMI (G-1/8" A (MIN.), 3/8" AIR SPACE, 5/16" LAMI (1/8" A, .090 PVB, 1/8" A) | | |
| 67 | " | 13/16" | LAMI (G-1/8" A (MIN.), 3/8" AIR SPACE, 5/16" LAMI (1/8" A, .090 PVB, 1/8" HS) | | |
| 68 | " | 13/16" | LAMI (G-1/8" A (MIN.), 3/8" AIR SPACE, 5/16" LAMI (1/8" HS, .090 PVB, 1/8" HS) | | |
| 69 | " | 13/16" | LAMI (G-3/16" A (MIN.), 5/16" AIR SPACE, 5/16" LAMI (1/8" A, .090 PVB, 1/8" A) | | |
| 70 | " | 13/16" | LAMI (G-3/16" A (MIN.), 5/16" AIR SPACE, 5/16" LAMI (1/8" A, .090 PVB, 1/8" HS) | | |
| 71 | " | 13/16" | LAMI (G-3/16" A (MIN.), 5/16" AIR SPACE, 5/16" LAMI (1/8" HS, .090 PVB, 1/8" HS) | | |
| 72 | " | 13/16" | LAMI (G-1/8" A (MIN.), 1/4" AIR SPACE, 7/16" LAMI (3/16" A, .090 PVB, 3/16" A) | | |
| 73 | " | 13/16" | LAMI (G-1/8" A (MIN.), 1/4" AIR SPACE, 7/16" LAMI (3/16" A, .090 PVB, 3/16" HS) | | |
| 74 | " | 13/16" | LAMI (G-1/8" A (MIN.), 1/4" AIR SPACE, 7/16" LAMI (3/16" HS, .090 PVB, 3/16" A) | | |
| 75 | " | 13/16" | LAMI (G-3/16" A (MIN.), 3/16" AIR SPACE, 7/16" LAMI (3/16" A, .090 PVB, 3/16" A) | | |
| 76 | " | 13/16" | LAMI (G-3/16" A (MIN.), 3/16" AIR SPACE, 7/16" LAMI (3/16" A, .090 PVB, 3/16" HS) | | |
| 77 | " | 13/16" | LAMI (G-3/16" A (MIN.), 3/16" AIR SPACE, 7/16" LAMI (3/16" HS, .090 PVB, 3/16" HS) | | |
| 90 | 1014 | | SCREEN FRAME (HOR. & VER.) | 3105-H14 AL. | |
| 91 | 1630 | | SCREEN CORNER KEY W/RINGS | POLYPROP. | |
| 92 | 1631 | | SCREEN CORNER KEY W/OUT RINGS | POLYPROP. | |
| 93 | 1073 | | SCREEN SPRING | ST.ST. | |
| 94 | 1624 | | SCREEN SPLINE - .135 DIA. FOAM | EM PVC | |
| 95 | 1635 | | SCREEN SPLINE - .135 DIA. HARD | EM PVC | |
| 96 | | | SCREEN | CLOTH | |



41 I.F. FRAME HEAD #4139, 6063-T6



43 I.F. FRAME JAMB #4141, 6063-T6



42 I.F. FRAME SILL #4140, 6063-T6

PRODUCT REVISED as complying with the Florida Building Code Acceptance No. 11-0630.02 Expiration Date 11/21/2016 By *Robert L. Clark* Mutual District Reliant Control

Robert L. Clark
Robert L. Clark, P.E.
PE #39712
Structural

| Part No. | Part Name | QTY | Unit | Drawn By | Check By | Rev |
|----------|--|-----|------|----------|----------|-----|
| HR710 | ALUM. HORIZONTAL ROLLER WINDOW, IMPACT | 6 | ea | NTS | 6 or 11 | D |



1070 TECHNOLOGY DRIVE
NOKOMIS, FL 34276
P.O. BOX 1629
NOKOMIS, FL 34274

| Drawn By | Check By | Date | Rev |
|----------|----------|----------|-----|
| J.R. | D | 6/20/11 | D |
| F.K. | C | 4/15/07 | C |
| F.K. | B | 10/17/06 | B |
| F.K. | A | 2/28/06 | A |

ADDED TWINING TO GLASS TYPES
ADD ITEMS 41, 42 & 43
NO CHANGE THIS SHEET

TABLE 5

ANCHOR QUANTITIES, XOX (1/3-1/3-1/3) WINDOWS

GLASS TYPES A,B,G,H **GLASS TYPES C,D,E,F,I,J,K,L**

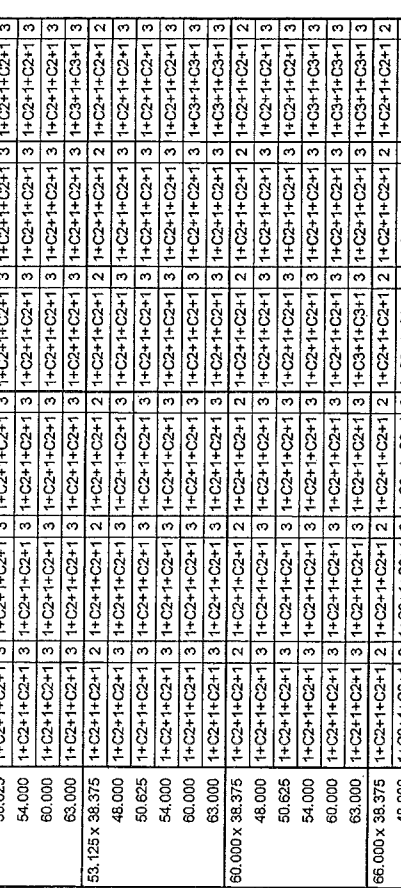
| ANCHOR TYPE & SUBSTRATE | GLASS TYPES A,B,G,H | | | | GLASS TYPES C,D,E,F,I,J,K,L | | | |
|-------------------------|---------------------|---------------|---------------|----------------|-----------------------------|---------------|----------------|---------------|
| | 2.3 WOOD ZONES | 2. CONC ZONES | 1. CONC ZONES | 2.3 WOOD ZONES | 2. CONC ZONES | 1. CONC ZONES | 2.3 WOOD ZONES | 2. CONC ZONES |
| WINDOW SIZE W x H | HEAD & SILL | HEAD & SILL | HEAD & SILL | HEAD & SILL | HEAD & SILL | HEAD & SILL | HEAD & SILL | HEAD & SILL |
| 48,000 x 36,375 | 1+C2+1+C2+1 | 1+C2+1+C2+1 | 1+C2+1+C2+1 | 1+C2+1+C2+1 | 1+C2+1+C2+1 | 1+C2+1+C2+1 | 1+C2+1+C2+1 | 1+C2+1+C2+1 |
| 48,000 | 1+C2+1+C2+1 | 1+C2+1+C2+1 | 1+C2+1+C2+1 | 1+C2+1+C2+1 | 1+C2+1+C2+1 | 1+C2+1+C2+1 | 1+C2+1+C2+1 | 1+C2+1+C2+1 |
| 50,625 | 1+C2+1+C2+1 | 1+C2+1+C2+1 | 1+C2+1+C2+1 | 1+C2+1+C2+1 | 1+C2+1+C2+1 | 1+C2+1+C2+1 | 1+C2+1+C2+1 | 1+C2+1+C2+1 |
| 54,000 | 1+C2+1+C2+1 | 1+C2+1+C2+1 | 1+C2+1+C2+1 | 1+C2+1+C2+1 | 1+C2+1+C2+1 | 1+C2+1+C2+1 | 1+C2+1+C2+1 | 1+C2+1+C2+1 |
| 60,000 | 1+C2+1+C2+1 | 1+C2+1+C2+1 | 1+C2+1+C2+1 | 1+C2+1+C2+1 | 1+C2+1+C2+1 | 1+C2+1+C2+1 | 1+C2+1+C2+1 | 1+C2+1+C2+1 |
| 63,000 | 1+C2+1+C2+1 | 1+C2+1+C2+1 | 1+C2+1+C2+1 | 1+C2+1+C2+1 | 1+C2+1+C2+1 | 1+C2+1+C2+1 | 1+C2+1+C2+1 | 1+C2+1+C2+1 |
| 53,125 x 36,375 | 1+C2+1+C2+1 | 1+C2+1+C2+1 | 1+C2+1+C2+1 | 1+C2+1+C2+1 | 1+C2+1+C2+1 | 1+C2+1+C2+1 | 1+C2+1+C2+1 | 1+C2+1+C2+1 |
| 48,000 | 1+C2+1+C2+1 | 1+C2+1+C2+1 | 1+C2+1+C2+1 | 1+C2+1+C2+1 | 1+C2+1+C2+1 | 1+C2+1+C2+1 | 1+C2+1+C2+1 | 1+C2+1+C2+1 |
| 50,625 | 1+C2+1+C2+1 | 1+C2+1+C2+1 | 1+C2+1+C2+1 | 1+C2+1+C2+1 | 1+C2+1+C2+1 | 1+C2+1+C2+1 | 1+C2+1+C2+1 | 1+C2+1+C2+1 |
| 54,000 | 1+C2+1+C2+1 | 1+C2+1+C2+1 | 1+C2+1+C2+1 | 1+C2+1+C2+1 | 1+C2+1+C2+1 | 1+C2+1+C2+1 | 1+C2+1+C2+1 | 1+C2+1+C2+1 |
| 60,000 | 1+C2+1+C2+1 | 1+C2+1+C2+1 | 1+C2+1+C2+1 | 1+C2+1+C2+1 | 1+C2+1+C2+1 | 1+C2+1+C2+1 | 1+C2+1+C2+1 | 1+C2+1+C2+1 |
| 63,000 | 1+C2+1+C2+1 | 1+C2+1+C2+1 | 1+C2+1+C2+1 | 1+C2+1+C2+1 | 1+C2+1+C2+1 | 1+C2+1+C2+1 | 1+C2+1+C2+1 | 1+C2+1+C2+1 |
| 60,000 x 36,375 | 1+C2+1+C2+1 | 1+C2+1+C2+1 | 1+C2+1+C2+1 | 1+C2+1+C2+1 | 1+C2+1+C2+1 | 1+C2+1+C2+1 | 1+C2+1+C2+1 | 1+C2+1+C2+1 |
| 48,000 | 1+C2+1+C2+1 | 1+C2+1+C2+1 | 1+C2+1+C2+1 | 1+C2+1+C2+1 | 1+C2+1+C2+1 | 1+C2+1+C2+1 | 1+C2+1+C2+1 | 1+C2+1+C2+1 |
| 50,625 | 1+C2+1+C2+1 | 1+C2+1+C2+1 | 1+C2+1+C2+1 | 1+C2+1+C2+1 | 1+C2+1+C2+1 | 1+C2+1+C2+1 | 1+C2+1+C2+1 | 1+C2+1+C2+1 |
| 54,000 | 1+C2+1+C2+1 | 1+C2+1+C2+1 | 1+C2+1+C2+1 | 1+C2+1+C2+1 | 1+C2+1+C2+1 | 1+C2+1+C2+1 | 1+C2+1+C2+1 | 1+C2+1+C2+1 |
| 60,000 | 1+C2+1+C2+1 | 1+C2+1+C2+1 | 1+C2+1+C2+1 | 1+C2+1+C2+1 | 1+C2+1+C2+1 | 1+C2+1+C2+1 | 1+C2+1+C2+1 | 1+C2+1+C2+1 |
| 63,000 | 1+C2+1+C2+1 | 1+C2+1+C2+1 | 1+C2+1+C2+1 | 1+C2+1+C2+1 | 1+C2+1+C2+1 | 1+C2+1+C2+1 | 1+C2+1+C2+1 | 1+C2+1+C2+1 |
| 66,000 x 36,375 | 1+C2+1+C2+1 | 1+C2+1+C2+1 | 1+C2+1+C2+1 | 1+C2+1+C2+1 | 1+C2+1+C2+1 | 1+C2+1+C2+1 | 1+C2+1+C2+1 | 1+C2+1+C2+1 |
| 48,000 | 1+C2+1+C2+1 | 1+C2+1+C2+1 | 1+C2+1+C2+1 | 1+C2+1+C2+1 | 1+C2+1+C2+1 | 1+C2+1+C2+1 | 1+C2+1+C2+1 | 1+C2+1+C2+1 |
| 50,625 | 1+C2+1+C2+1 | 1+C2+1+C2+1 | 1+C2+1+C2+1 | 1+C2+1+C2+1 | 1+C2+1+C2+1 | 1+C2+1+C2+1 | 1+C2+1+C2+1 | 1+C2+1+C2+1 |
| 54,000 | 1+C2+1+C2+1 | 1+C2+1+C2+1 | 1+C2+1+C2+1 | 1+C2+1+C2+1 | 1+C2+1+C2+1 | 1+C2+1+C2+1 | 1+C2+1+C2+1 | 1+C2+1+C2+1 |
| 60,000 | 1+C2+1+C2+1 | 1+C2+1+C2+1 | 1+C2+1+C2+1 | 1+C2+1+C2+1 | 1+C2+1+C2+1 | 1+C2+1+C2+1 | 1+C2+1+C2+1 | 1+C2+1+C2+1 |
| 63,000 | 1+C2+1+C2+1 | 1+C2+1+C2+1 | 1+C2+1+C2+1 | 1+C2+1+C2+1 | 1+C2+1+C2+1 | 1+C2+1+C2+1 | 1+C2+1+C2+1 | 1+C2+1+C2+1 |
| 74,000 x 36,375 | 1+C2+1+C2+1 | 1+C2+1+C2+1 | 1+C2+1+C2+1 | 1+C2+1+C2+1 | 1+C2+1+C2+1 | 1+C2+1+C2+1 | 1+C2+1+C2+1 | 1+C2+1+C2+1 |
| 48,000 | 1+C2+1+C2+1 | 1+C2+1+C2+1 | 1+C2+1+C2+1 | 1+C2+1+C2+1 | 1+C2+1+C2+1 | 1+C2+1+C2+1 | 1+C2+1+C2+1 | 1+C2+1+C2+1 |
| 50,625 | 1+C2+1+C2+1 | 1+C2+1+C2+1 | 1+C2+1+C2+1 | 1+C2+1+C2+1 | 1+C2+1+C2+1 | 1+C2+1+C2+1 | 1+C2+1+C2+1 | 1+C2+1+C2+1 |
| 54,000 | 1+C2+1+C2+1 | 1+C2+1+C2+1 | 1+C2+1+C2+1 | 1+C2+1+C2+1 | 1+C2+1+C2+1 | 1+C2+1+C2+1 | 1+C2+1+C2+1 | 1+C2+1+C2+1 |
| 60,000 | 1+C2+1+C2+1 | 1+C2+1+C2+1 | 1+C2+1+C2+1 | 1+C2+1+C2+1 | 1+C2+1+C2+1 | 1+C2+1+C2+1 | 1+C2+1+C2+1 | 1+C2+1+C2+1 |
| 63,000 | 1+C2+1+C2+1 | 1+C2+1+C2+1 | 1+C2+1+C2+1 | 1+C2+1+C2+1 | 1+C2+1+C2+1 | 1+C2+1+C2+1 | 1+C2+1+C2+1 | 1+C2+1+C2+1 |
| 84,000 x 36,375 | 1+C2+1+C2+1 | 1+C2+1+C2+1 | 1+C2+1+C2+1 | 1+C2+1+C2+1 | 1+C2+1+C2+1 | 1+C2+1+C2+1 | 1+C2+1+C2+1 | 1+C2+1+C2+1 |
| 48,000 | 1+C2+1+C2+1 | 1+C2+1+C2+1 | 1+C2+1+C2+1 | 1+C2+1+C2+1 | 1+C2+1+C2+1 | 1+C2+1+C2+1 | 1+C2+1+C2+1 | 1+C2+1+C2+1 |
| 50,625 | 1+C2+1+C2+1 | 1+C2+1+C2+1 | 1+C2+1+C2+1 | 1+C2+1+C2+1 | 1+C2+1+C2+1 | 1+C2+1+C2+1 | 1+C2+1+C2+1 | 1+C2+1+C2+1 |
| 54,000 | 1+C2+1+C2+1 | 1+C2+1+C2+1 | 1+C2+1+C2+1 | 1+C2+1+C2+1 | 1+C2+1+C2+1 | 1+C2+1+C2+1 | 1+C2+1+C2+1 | 1+C2+1+C2+1 |
| 60,000 | 1+C2+1+C2+1 | 1+C2+1+C2+1 | 1+C2+1+C2+1 | 1+C2+1+C2+1 | 1+C2+1+C2+1 | 1+C2+1+C2+1 | 1+C2+1+C2+1 | 1+C2+1+C2+1 |
| 63,000 | 1+C2+1+C2+1 | 1+C2+1+C2+1 | 1+C2+1+C2+1 | 1+C2+1+C2+1 | 1+C2+1+C2+1 | 1+C2+1+C2+1 | 1+C2+1+C2+1 | 1+C2+1+C2+1 |
| 86,437 x 36,375 | 1+C2+1+C2+1 | 1+C2+1+C2+1 | 1+C2+1+C2+1 | 1+C2+1+C2+1 | 1+C2+1+C2+1 | 1+C2+1+C2+1 | 1+C2+1+C2+1 | 1+C2+1+C2+1 |

Revised By: J.K. Date: 6/20/11
 Drawn By: F.K. Date: 4/15/07
 Checked By: F.K. Date: 10/17/06
 Date: 2/28/08

NOTES:
 1. ANCHOR TYPES:
 1- 1/4" ELCO TAPCONS 2- 1/4" ELCO SS4 CRETE-FLEX 3- #12 STEEL SCREWS (G5)
 2. GLASS TYPES:
 A. 5/16" LAMI - (1/8" A, .090, 1/8" A)
 B. 5/16" LAMI - (1/8" A, .090, 1/8" HS)
 C. 5/16" LAMI - (3/16" A, .080, 3/16" A)
 D. 7/16" LAMI - (3/16" A, .080, 3/16" HS)
 E. 7/16" LAMI - (3/16" A, .080, 3/16" HS)
 F. 7/16" LAMI - (3/16" HS, .090, 3/16" HS)
 G. 13/16" LAMI IG - 1/8" OR 3/16" A (MIN.), 5/16" OR 3/8" SPACE, 5/16" LAMI - (1/8" A, .090, 1/8" A)
 H. 13/16" LAMI IG - 1/8" OR 3/16" A (MIN.), 5/16" OR 3/8" SPACE, 5/16" LAMI - (1/8" A, .090, 1/8" HS)
 I. 13/16" LAMI IG - 1/8" OR 3/16" A (MIN.), 5/16" OR 3/8" SPACE, 5/16" LAMI - (1/8" HS, .090, 1/8" HS)
 J. 13/16" LAMI IG - 1/8" OR 3/16" A (MIN.), 3/16" OR 1/4" SPACE, 7/16" LAMI - (3/16" A, .080, 3/16" A)
 K. 13/16" LAMI IG - 1/8" OR 3/16" A (MIN.), 3/16" OR 1/4" SPACE, 7/16" LAMI - (3/16" A, .080, 3/16" HS)
 L. 13/16" LAMI IG - 1/8" OR 3/16" A (MIN.), 3/16" OR 1/4" SPACE, 7/16" LAMI - (3/16" HS, .090, 3/16" HS)

FOR INSTALLATION IN THE HVHZ ABOVE 30 FT. GLASS TYPES G-I SHALL HAVE A TEMPERED I.G. GLASS CAP. BOTH THE DP AND ANCHOR QUANTITY REMAIN UNCHANGED.

3. WINDOW ANCHOR QUANTITIES ARE PER ADJACENT TABLE AND BASED ON THE FOLLOWING DIMENSIONS. FOR WINDOW SIZES NOT SHOWN, GO TO NEXT LARGER WINDOW IN TABLE.
 HEAD & SILL: 10 1/2" MAX. ON EACH SIDE OF MEETING RAIL CENTERLINE
 JAMBS: 9" MAX. FROM CORNERS AND 22 1/2" MAX. O.C.
 TABLE KEY:
 X O X
 1+C3+1+C3+1 3 1+C3+1+C3+1 3
 HEAD AND SILL ANCHOR QUANTITIES A CLUSTER OF (3) ANCHORS CENTERED ON EACH MEETING RAIL PLUS (1) ANCHOR AT EACH OPERABLE VENT PLUS (1) ANCHORS AT FIXED SECTION. (9) ANCHORS TOTAL AT HEAD AND SILL. (8" MIN. O.C. ANCHOR SPACING)



PRODUCT REVISED as complying with the Florida Building Code Acceptance No. 11-0630.02 Expiration Date 11/13/2016
 By: William Daugherty
 Robert L. Clerk, P.E. PE #38712 Structural
 6/29/11

1070 TECHNOLOGY DRIVE NOKOMIS, FL 34275
 P.O. BOX 4528 NOKOMIS, FL 34274
 Yestby Better

ADDED IG CAP TO BE TEMPERED @ 30FT NOTE
 UPDATE TABLE 5, SELECT VALUES DUE TO ANCHOR CAP. ADJ.
 REVISE ANCHORAGE FORMAT, HEAD & SILL CLUSTERS

ANCHORAGE SPACING, XOX (1/3-1/3-1/3)
 ALUM. HORIZONTAL ROLLER WINDOW, IMPACT
 HR710 NTS 9 or 11 4127-10 D

ANCHOR QUANTITIES, XO & OX WINDOWS

| ANCHOR TYPE & SUBSTRATE | WINDOW SIZE W x H | GLASS TYPES A,B,G,H | | | | GLASS TYPES C,D,E,F,I,J,K,L | | | |
|-------------------------|----------------------|---------------------|---------------|---------------|---------------|-----------------------------|---------------|---------------|---------------|
| | | 2,3, WOOD ZONES | 1, CONC ZONES | 2, CONC ZONES | 1, CONC ZONES | 2,3, WOOD ZONES | 1, CONC ZONES | 2, CONC ZONES | 1, CONC ZONES |
| 37.000 x 38.375 | | 1+C2+1 | 2 | 1+C2+1 | 2 | 1+C2+1 | 2 | 1+C2+1 | 2 |
| 48.000 | | 1+C2+1 | 3 | 1+C2+1 | 3 | 1+C2+1 | 3 | 1+C2+1 | 3 |
| 50.625 | | 1+C2+1 | 3 | 1+C2+1 | 3 | 1+C2+1 | 3 | 1+C2+1 | 3 |
| 54.000 | | 1+C2+1 | 3 | 1+C2+1 | 3 | 1+C2+1 | 3 | 1+C2+1 | 3 |
| 60.000 | | 1+C2+1 | 3 | 1+C3+1 | 3 | 1+C2+1 | 3 | 1+C3+1 | 3 |
| 63.000 | | 1+C2+1 | 3 | 1+C3+1 | 3 | 1+C2+1 | 3 | 1+C3+1 | 3 |
| 48.000 x 38.375 | | 1+C2+1 | 2 | 1+C2+1 | 2 | 1+C2+1 | 2 | 1+C2+1 | 2 |
| 48.000 | | 1+C2+1 | 3 | 1+C2+1 | 3 | 1+C2+1 | 3 | 1+C2+1 | 3 |
| 50.625 | | 1+C2+1 | 3 | 1+C3+1 | 3 | 1+C2+1 | 3 | 1+C3+1 | 3 |
| 54.000 | | 1+C2+1 | 3 | 1+C3+1 | 3 | 1+C2+1 | 3 | 1+C3+1 | 3 |
| 60.000 | | 1+C3+1 | 3 | 1+C2+1 | 3 | 1+C3+1 | 3 | 1+C2+1 | 3 |
| 63.000 | | 1+C3+1 | 3 | 1+C3+1 | 3 | 1+C3+1 | 3 | 1+C3+1 | 3 |
| 53.125 x 38.375 | | 1+C2+1 | 2 | 1+C2+1 | 2 | 1+C2+1 | 2 | 1+C2+1 | 2 |
| 48.000 | | 1+C2+1 | 3 | 1+C2+1 | 3 | 1+C2+1 | 3 | 1+C2+1 | 3 |
| 50.625 | | 1+C2+1 | 3 | 1+C3+1 | 3 | 1+C2+1 | 3 | 1+C3+1 | 3 |
| 54.000 | | 1+C3+1 | 3 | 1+C2+1 | 3 | 1+C3+1 | 3 | 1+C2+1 | 3 |
| 60.000 | | 1+C3+1 | 4 | 1+C2+1 | 3 | 1+C3+1 | 4 | 1+C2+1 | 3 |
| 63.000 | | 1+C3+1 | 4 | 1+C3+1 | 3 | 1+C4+1 | 3 | 1+C3+1 | 3 |
| 60.000 x 38.375 | | 1+C2+1 | 3 | 1+C2+1 | 2 | 1+C2+1 | 3 | 1+C2+1 | 2 |
| 48.000 | | 1+C2+1 | 3 | 1+C2+1 | 3 | 1+C2+1 | 3 | 1+C2+1 | 3 |
| 50.625 | | 1+C3+1 | 3 | 1+C2+1 | 3 | 1+C3+1 | 3 | 1+C2+1 | 3 |
| 54.000 | | 1+C3+1 | 4 | 1+C2+1 | 3 | 1+C3+1 | 4 | 1+C2+1 | 3 |
| 60.000 | | 1+C3+1 | 4 | 1+C3+1 | 3 | 1+C4+1 | 3 | 1+C3+1 | 3 |
| 63.000 | | 1+C3+1 | 4 | 1+C3+1 | 3 | 1+C4+1 | 3 | 1+C3+1 | 3 |
| 66.000 x 38.375 | | 2+C2+2 | 3 | 1+C2+1 | 2 | 2+C2+2 | 3 | 1+C2+1 | 2 |
| 48.000 | | 2+C2+2 | 4 | 1+C2+1 | 3 | 2+C2+2 | 4 | 1+C2+1 | 3 |
| 50.625 | | 2+C3+2 | 4 | 1+C2+1 | 3 | 2+C3+2 | 4 | 1+C2+1 | 3 |
| 54.000 | | 2+C3+2 | 4 | 1+C2+1 | 3 | 2+C3+2 | 4 | 1+C2+1 | 3 |
| 60.000 | | 2+C3+2 | 4 | 1+C3+1 | 3 | 2+C3+2 | 4 | 1+C3+1 | 3 |
| 63.000 | | 2+C3+2 | 4 | 1+C3+1 | 3 | 2+C4+2 | 4 | 1+C3+1 | 3 |
| 74.000 x 38.375 | | 2+C3+2 | 3 | 2+C2+2 | 2 | 2+C3+2 | 3 | 2+C2+2 | 2 |
| 48.000 | | 2+C3+2 | 4 | 2+C2+2 | 3 | 2+C3+2 | 4 | 2+C2+2 | 3 |
| 50.625 | | 2+C3+2 | 4 | 2+C2+2 | 3 | 2+C3+2 | 4 | 2+C2+2 | 3 |
| 54.000 | | 2+C3+2 | 4 | 2+C3+2 | 4 | 2+C3+2 | 4 | 2+C3+2 | 4 |
| 60.000 | | 2+C3+2 | 4 | 2+C3+2 | 4 | 2+C3+2 | 4 | 2+C3+2 | 4 |
| 63.000 | | 2+C3+2 | 4 | 1+C3+1 | 3 | 2+C3+2 | 4 | 1+C3+1 | 3 |
| 66.000 | | 2+C3+2 | 4 | 1+C3+1 | 3 | 2+C4+2 | 4 | 1+C3+1 | 3 |
| 74.000 x 38.375 | | 2+C3+2 | 4 | 1+C3+1 | 3 | 2+C4+2 | 4 | 2+C3+2 | 4 |
| 48.000 | | 2+C3+2 | 4 | 1+C3+1 | 3 | 2+C4+2 | 4 | 2+C3+2 | 4 |
| 50.625 | | 2+C3+2 | 4 | 2+C2+2 | 3 | 2+C3+2 | 4 | 2+C2+2 | 3 |
| 54.000 | | 2+C3+2 | 4 | 2+C2+2 | 3 | 2+C3+2 | 4 | 2+C2+2 | 3 |
| 60.000 | | 2+C3+2 | 4 | 2+C2+2 | 3 | 2+C3+2 | 4 | 2+C2+2 | 3 |
| 63.000 | | 2+C3+2 | 4 | 1+C3+1 | 3 | 2+C3+2 | 4 | 1+C3+1 | 3 |
| 66.000 | | 2+C3+2 | 4 | 1+C3+1 | 3 | 2+C4+2 | 4 | 1+C3+1 | 3 |
| 74.000 x 38.375 | | 2+C3+2 | 4 | 1+C3+1 | 3 | 2+C4+2 | 4 | 2+C3+2 | 4 |

NOTES:

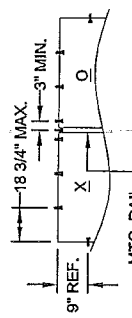
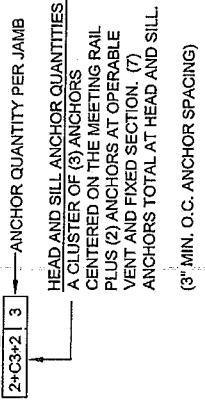
- ANCHOR TYPES:
1 - 1/4" ELCO TAPCONS 2 - 1/4" ELCO SS4 CRETE-FLEX 3 - #12 STEEL SCREWS (GS)
- GLASS TYPES:
A. 5/16" LAMI - (1/8" A, .090, 1/8" A)
B. 5/16" LAMI - (1/8" A, .090, 1/8" HS)
C. 5/16" LAMI - (1/8" HS, .090, 1/8" HS)
D. 7/16" LAMI - (3/16" A, .090, 3/16" A)
E. 7/16" LAMI - (3/16" A, .090, 3/16" HS)
F. 7/16" LAMI - (3/16" HS, .090, 3/16" HS)
G. 13/16" LAMI IG - 1/8" OR 3/16" A (MIN.), 5/16" OR 3/8" SPACE, 5/16" LAMI - (1/8" A, .090, 1/8" A)
H. 13/16" LAMI IG - 1/8" OR 3/16" A (MIN.), 5/16" OR 3/8" SPACE, 5/16" LAMI - (1/8" A, .090, 1/8" HS)
I. 13/16" LAMI IG - 1/8" OR 3/16" A (MIN.), 5/16" OR 3/8" SPACE, 5/16" LAMI - (1/8" HS, .090, 1/8" HS)
J. 13/16" LAMI IG - 1/8" OR 3/16" A (MIN.), 3/16" OR 1/4" SPACE, 7/16" LAMI - (3/16" A, .090, 3/16" A)
K. 13/16" LAMI IG - 1/8" OR 3/16" A (MIN.), 3/16" OR 1/4" SPACE, 7/16" LAMI - (3/16" A, .090, 3/16" HS)
L. 13/16" LAMI IG - 1/8" OR 3/16" A (MIN.), 3/16" OR 1/4" SPACE, 7/16" LAMI - (3/16" HS, .090, 3/16" HS)

FOR INSTALLATION IN THE HVHZ ABOVE 30 FT. GLASS TYPES G - L SHALL HAVE A TEMPERED I.G. GLASS CAP. BOTH THE DP AND ANCHOR QUANTITY REMAIN UNCHANGED.

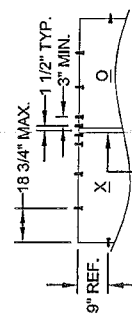
3. WINDOW ANCHOR QUANTITIES ARE PER ADJACENT TABLE AND BASED ON THE FOLLOWING DIMENSIONS. FOR WINDOW SIZES NOT SHOWN, GO TO NEXT LARGER WINDOW IN TABLE.

HEAD & SILL: 1/2" MAX. ON EACH SIDE OF MEETING RAIL CENTERLINE.
18 3/4" MAX. FROM CORNERS.
JAMBS: 9" MAX. FROM CORNERS AND 22 1/2" MAX. O.C.

TABLE KEY:



EXAMPLE CLUSTER W/ QTY. OF (3) ANCHORS
(SHOWN IN TABLE KEY ABOVE)



EXAMPLE CLUSTER W/ QTY. OF (4) ANCHORS

PRODUCT REVISED as complying with the Florida Building Code No. 6-01-001-02 Expiration Date 11-06-30-02
By: *[Signature]*
Miguel Dado Product Control

[Signature]
1/29/11
Robert L. Clark, P.E.
PE #39712
Structural

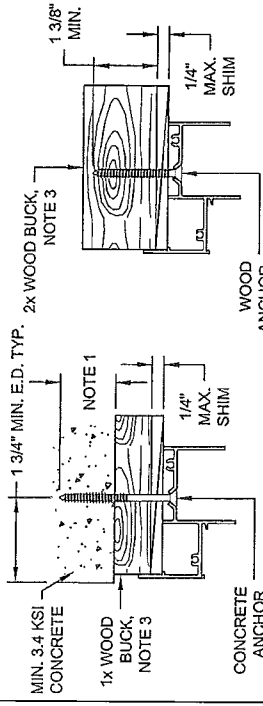
| | | | |
|----------------|----------|----------|---------|
| Anchor Spacing | 10 or 11 | Drawn By | 4127-10 |
| Subcontract | NTS | Scale | D |

PGI
Visible Better
1070 TECHNOLOGY DRIVE
NOKOMIS, FL 32478
P.O. BOX 1628
NOKOMIS, FL 32474

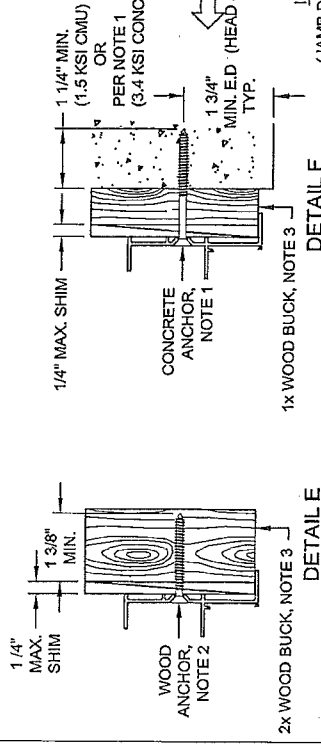
| | | | |
|------------|------|------|---------|
| Revised By | J.J. | Date | 3/23/06 |
| Checked By | J.J. | Date | 3/23/06 |
| Drawn By | J.J. | Date | 3/23/06 |
| Revised By | J.J. | Date | 3/23/06 |
| Checked By | J.J. | Date | 3/23/06 |
| Drawn By | J.J. | Date | 3/23/06 |

NOTES:

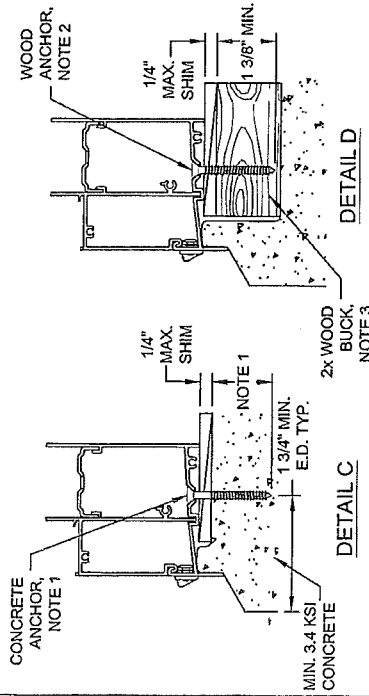
1. FOR CONCRETE APPLICATIONS IN MIAMI-DADE COUNTY, USE ONLY MIAMI-DADE COUNTY APPROVED 1/4" ELCO TAPCONS EMBEDDED 1 3/8" MIN. OR 1/4" SS4 CRETE-FLEX EMBEDDED 1 3/4" MIN. MINIMUM DISTANCE FROM ANCHOR TO CONCRETE EDGE IS 1 3/4". FLATHEAD ANCHORS MUST BE #12 TRIMFIT HEAD.
2. FOR WOOD APPLICATIONS IN MIAMI-DADE COUNTY, USE #12 STEEL SCREWS (G6) OR 1/4" SS4 CRETE-FLEX WITH #12 TRIMFIT HEAD.
3. WOOD BUCKS DEPICTED IN THE SECTIONS ON THIS PAGE AS 1x ARE BUCKS WHOSE TOTAL THICKNESS IS LESS THAN 1 1/2". 1x WOOD BUCKS ARE OPTIONAL IF UNIT CAN BE INSTALLED DIRECTLY TO SOLID CONCRETE. WOOD BUCKS DEPICTED AS 2x ARE 1 1/2" THICK OR GREATER. INSTALLATION TO THE SUBSTRATE OF WOOD BUCKS TO BE ENGINEERED BY OTHERS OR AS APPROVED BY AUTHORITY HAVING JURISDICTION.
4. FOR ATTACHMENT TO ALUMINUM: THE MATERIAL SHALL BE A MINIMUM STRENGTH OF 6063-T5 AND A MINIMUM OF 1/8" THICK. THE ALUMINUM STRUCTURAL MEMBER SHALL BE OF A SIZE TO PROVIDE FULL SUPPORT TO THE WINDOW FRAME SIMILAR TO THAT SHOWN IN THESE DETAILS FOR 2x WOOD BUCKS. THE ANCHOR SHALL BE A #12 SHEET METAL SCREW WITH FULL ENGAGEMENT INTO THE ALUMINUM. IF THESE CRITERIA ARE MET, THE RESPECTIVE DESIGN PRESSURES AND ANCHORAGE SPACING FOR ANCHOR TYPE 2 MAY BE USED.
5. MATERIALS, INCLUDING BUT NOT LIMITED TO STEEL SCREWS, THAT COME INTO CONTACT WITH OTHER DISSIMILAR MATERIALS SHALL MEET THE REQUIREMENTS OF FLORIDA BUILDING CODE, CURRENT EDITION.



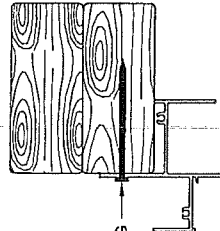
TYPICAL FLANGE FRAME HEAD SECTIONS



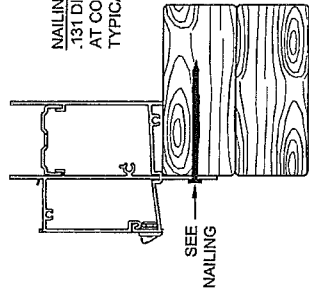
TYPICAL FLANGE FRAME JAMB SECTIONS



TYPICAL FLANGE FRAME SILL SECTIONS

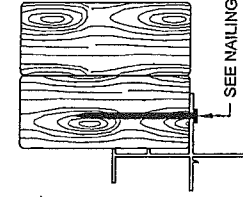


DETAIL H (HEAD)



DETAIL G (SILL)

DETAIL I (JAMB)



TYPICAL INTEGRAL FIN FRAME SECTIONS

| | | | |
|-------------|----------|-------------|---------|
| Revised By: | Date: | Revised By: | Date: |
| D | 6/20/11 | C | 4/15/07 |
| Revised By: | Date: | Revised By: | Date: |
| F.K. | 10/17/06 | B | 3/23/06 |
| Drawn By: | Date: | Checked By: | Date: |
| F.K. | 2/28/06 | J.J. | 3/23/06 |

NO CHANGE THIS SHEET
 USE & REPAIRING TRIMFIT, HD. & EMBEDMENT.
 ADD'L. FOR-USE. CRP. NOTE 3 TO PEGS, CURRENT EDITION.
 P.O. BOX 1529
 NOKOMIS, FL 34274

PGI
 Vestyly Better

Anchor Details
ALUM. HORIZONTAL ROLLER WINDOW, IMPACT
 Drawing No. 4127-10
 Rev: D

PRODUCT REVISED
 as complying with the Florida
 Building Code
 Acceptance No. 11-0639.02
 Expiration Date 12/20/16
 By: [Signature]
 Minimal Data & Product Control

[Signature]
 Robert L. Clark, P.E.
 PE #93712
 Structural